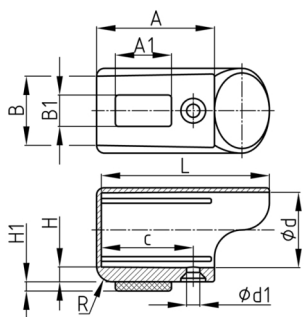


### Product Group RGKLK

Round angle sliding caps made of PP with welded plastic base for ends of traverses

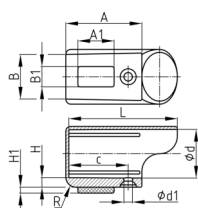


#### Standard Colours

- black

#### Material

- Base body: Polypropylene (PP)
- Slide base: Polyethylene (PE)



Order Number	A	A1	B	B1	c	d	d1	H	H1	L
	mm	mm	mm	mm	mm	mm	mm	mm	mm	mm
RGKLK 22	64	30	22	18	48	22	5	5	3	80,5
RGKLK 25	64	30	25	18	48	25	5	5	3	80,5
RGKLK 28	64	30	25	18	48	28	5	5	3	80,5
RGKLK 30	64	38	30	26	48	30	5	5	3	80,5
RGKLK 32	64	38	32	26	48	32	5	5	3	80,5
RGKLK 35	64	38	35	30	48	35	5	5	3	80,5
RGKLK 38	64	38	38	30	48	38	5	5	3	80,5